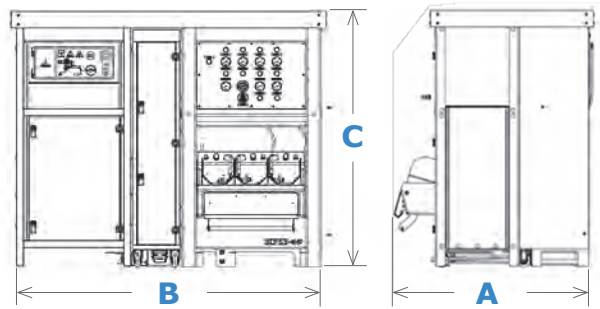
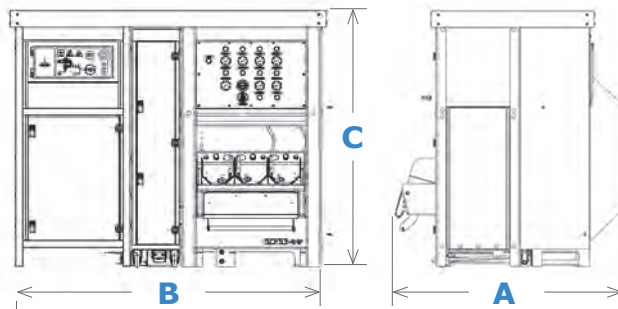


RELY ON MAKO and experience lasting protection

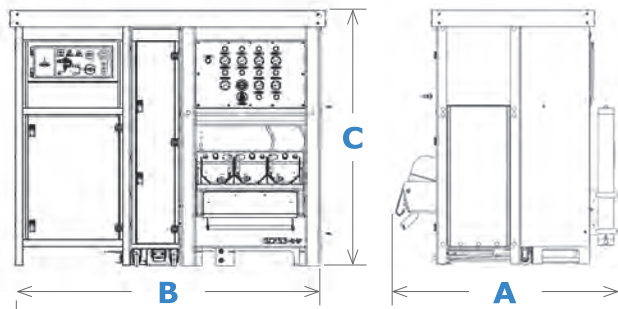
BAM04–BAM07(H)



BAM08(H)



BAM09(H)



Modular Breathing Air Center (M-BAC)

Technical Data

Model	Max Pressure		Stages	Charging Rate (0 - max pressure)			Compressor		Drive		Weight		Sound Level dba
	bar	psi		m ³ /hr	l/min	cfm	rpm	kW	hp	kg	lb		
BAM04	350	5000	3	9.9	165	5.8	1300	4	5	461	1017	69	
BAM05	350	5000	3	14.6	243	8.6	1300	5.5	7.5	471	1039	70	
BAM06	350	5000	4	22.3	372	13.1	1340	7.5	10	526	1160	72	
BAM07	350	5000	4	31.8	530	18.7	1800	11	15	541	1193	74	
BAM08	350	5000	4	43	717	25.3	1530	15	20	576	1270	76	
BAM09	350	5000	4	52	867	30.6	1800	18.5	25	592	1305	78	
BAM06X	414	6000	4	16.7	278	10.2	1100	5.5	7.5	485	1070	72	
BAM06H	414	6000	4	23.8	397	14	1340	7.5	10	526	1160	72	
BAM07H	414	6000	4	35.2	587	20.7	1800	11	15	541	1193	74	
BAM08H	414	6000	4	45.9	765	27	1530	15	20	576	1270	76	
BAM09H	414	6000	4	56.4	940	33.2	1800	18.5	25	592	1305	78	

Dimensions (A x B x C)

BAM with SCFS2 or SCFS3

Model	In	mm
BAM04–07H	45½ x 86 x 70	1156 x 2185 x 1778
BAM08–09H	52½ x 86 x 70	1334 x 2185 x 1778

BAM with SSCFS2 or SSCFS3

Model	In	mm
BAM04–07H	45½ x 90 x 70	1156 x 2286 x 1778
BAM08–09H	52½ x 90 x 70	1334 x 2286 x 1778